

# TECHNICAL DATASHEET

## FIRE DOOR COORDINATOR



Ensures that a pair of self-closing fire doors with rebated meeting stiles or security astragals will always shut in the correct sequence, regardless of which door is opened first.

This clever device operates so that a pair of doors do not incorrectly overlap once the pair of doors are shut. This is particularly important for fire-rated doors and self-latching security doors as it maintains the door's seal.



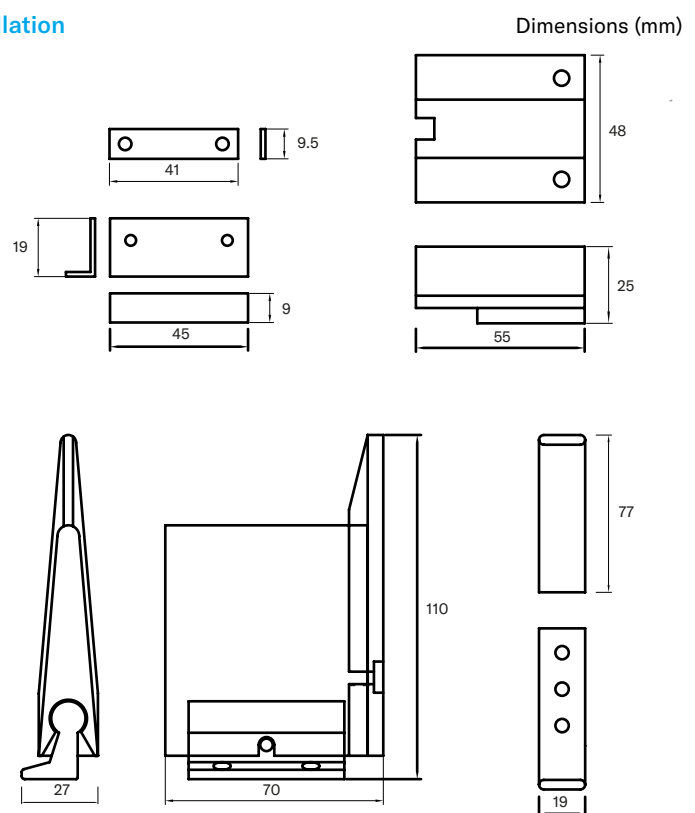
### FEATURES - Suitable for the following dimensions

- Weight of door: Up to 120 kgs
- Door closer size: 3-5
- Width of each leaf: Min. 700 mm - Max. 1000 mm  
Door thickness: Min. 38 mm - Max. 58 mm
- Rebate: Max. 25mm (Extended Rebate available)
- Options:  
Longer than 152 mm & 202 mm arms are available for thicker or wider doors, and steel doors with astragals both internally and externally. Extended Rebates are available to suit cranked astragal and for narrow door rebates
- Dimensions:  
See drawing opposite or contact us for more information
- Finishes:  
Silver Anodised Aluminium

### SPECIFICATION

- Material Finish:  
Silver Anodised Aluminium
- Application:  
All double rebated doors with meeting stiles and fitted with self closers.  
All double doors with security astragals.
- Door Coordinators to fire/smoke control doors:  
CE Marked
- Minimum classification grades:  
Category of use: 3  
No of cycles: Safety: 1  
Durability: Grade 5  
Suitability for use on fire/smoke doors:  
Pass 1  
Corrosions Resistance: 3 (96 Hours)

### Installation



### PART NUMBERS

- DC-SAA-102-STD Door Coordinator, Standard Rebate, 102 mm arm
- DC-SAA-152-STD Door Coordinator, Standard Rebate, 152 mm arm
- DC-SAA-202-STD Door Coordinator, Standard Rebate, 202 mm arm
- DC-SAA-102-EXT Door Coordinator, Extended Rebate, 102 mm arm
- DC-SAA-152-EXT Door Coordinator, Extended Rebate, 152 mm arm
- DC-SAA-202-EXT Door Coordinator, Extended Rebate, 202 mm arm

### SPARES & ACCESSORIES

- DC-SAA-152-ARM Spare 152 mm arm
- DC-SAA-202-ARM Spare 202 mm arm
- DC-SAA-BLK-EXT Extended Rebate

3700140\_REV20

We reserve the right to change or amend any design or specification in line with our policy of continuing development and improvement.

**Vimpex LTD**  
Star Lane, Great Wakering,  
Essex SS3 0PJ, UK  
t. +44 (0) 1702 216999  
e. sales@vimpex.co.uk  
[www.vimpex.co.uk](http://www.vimpex.co.uk)

**Vimpex Interguard AB**  
t. +46 (0) 36 37 10 65  
e. sales@vimpex.se



Quality System Certificate No. 456  
Assessed to ISO 9001